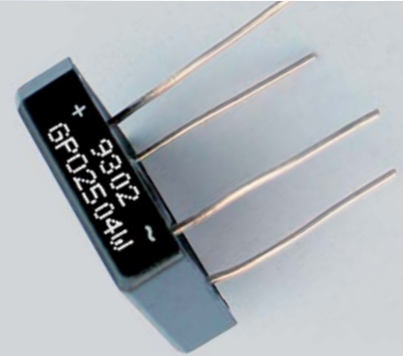


# Z5000Pi



small character

- ▶ High contrast coding with a range of coloured pigmented inks
- ▶ Automatic visible double flushing with solvent recycling
- ▶ Automatic ink mixing delivers consistent code quality and provides reliable performance
- ▶ Advanced Hydraulic system does not need factory air
  - ▶ Reduced consumption thanks to innovative vapour condenser
- ▶ IP65 protection for use in all arduous industrial environments



# Technical Features

# Z5000Pi



## Printing Characteristics

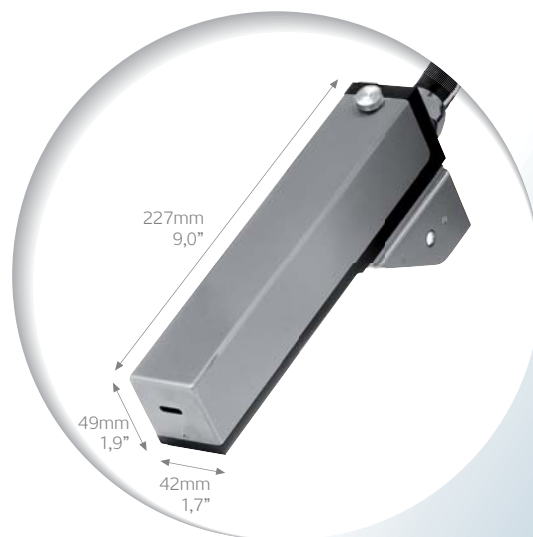
Up to 5 lines of print  
 Characters height from 1 to 14 mm (0,04" - 0,56")  
 Line speed capability: up to 320 mt/min (1050 ft/min)  
 Print rate: up to 2136 ct/sec  
 250 messages storage  
 Up to 250 characters storage per message  
 Selectable lines vertical gap  
 Font Matrix: 5x5, 7x5, 9x7, 15x10, 16x10, 24x16 and 32x18  
 Bold factor up to 8 times  
 Simple Logo creation and printing  
 50 Logos storage  
 Automatic calendar and expiration date print  
 Incrementing/decreasing Product counters up to 9 digits  
 Repeat print – message function  
 Printing in all moving directions  
 Tower print function (Text rotation of 90°)  
 DIN print for cables sector  
 Negative print function  
 Print throw distance up to 90 mm (3,54")

## Bar Codes

2/5 Industrial • UPC-A • CODE 39 • EAN 13 • CODE 128  
 • UCC/EAN-128 • ITF (A,B,C) • 2D – Data Matrix

## Control Unit characteristics

Membrane keyboard solvent resistant  
 Blue WYSIWYG Display with high contrast 240x128 pixels  
 Stainless Steel structure AISI 304  
 IP65 rating  
 Conduit length: 4mt (13,1 ft)



## General Features

Single Start/Stop button  
 Automatic cleaning in both Start up and Shut down  
 Vapour recovery system for low make up consumption  
 Automatic ink mixing delivers consistent code quality and contrast  
 New hydraulic system for a quick and easy start-up  
 Print parameters stored within each message  
 Keypad access with password  
 Operator selectable foreign language prompts  
 Report function for executed printing counter  
 Messages storage with alphanumeric text

## Printhead

Serviceable and replaceable  
 Hermetically sealed printhead components  
 Auto-phasing of ink stream for consistent print quality  
 Dimensions: 227mm x 42 mm x 49 mm (9,0" x 1,7" x 1,9")  
 Conduit inlet at 90° (optional)  
 Internal Supply Positive Air Function

## External Connections

Serial connection RS232 and RS485/422  
 Sensor management for product reading  
 System ready output  
 Shaft Encoder input for variable speed production lines  
 External alarm outputs with traffic light column  
 Parallel interface BCD

## Environment/Electrical requirements

Temperature: from 5° to 45°C (40°-113°F)  
 Humidity: 10 - 90% (non-condensing)  
 Single Phase, 85-240Vac, 50-60Hz, 200VA

