

BINKS

A83-11R-5 2/07



Pressure Tanks

ASME Code Stainless Steel, Galvanized
and ASME PT Series Tanks



Binks. The right tank for every application.

Over 100 years of spray finishing leadership.

Table of Contents

Binks	2
Getting the most from Binks tanks	3
PT ASME Code Tanks	4, 5
Stainless Steel Tanks	6, 7
Galvanized Tanks	8, 9
Large Capacity Galvanized Tanks	10
Tank Accessories	11

Since 1890, when it introduced its first cold water paint-spraying machine, Binks has provided the world with superior spray finishing technology. In addition to spray guns, Binks also offers a complete line of pressure tanks and accessories.



Our stainless steel, galvanized and zinc-plated tanks are designed for use with the full range of today's coatings, including waterbornes. For easy clean up, we also offer disposable, reusable tank liners. In addition, our product line includes a complete line of accessories and special products.



Binks tanks and accessories are built to the highest quality standards. And many specific products are ASME and registered with CRN (Canada) to meet the requirements of today's global marketplace. In addition to the products offered in this brochure, we will continue to support older Binks tanks and accessories with service parts.

Our team of experts – engineers, designers, technicians, and our customer service group are constantly working to bring you the quality, efficiency, performance and value you expect from one of the world's most recognized spray finishing brands.



Insist on Binks. Why settle for less?

Getting the Most from Binks Tanks

■ The Importance of Code Certified Tanks

ASME "code" or "coded" tanks are built to rigid engineering and manufacturing standards set by the American Society of Manufacturing Engineers (ASME). The ASME code, as it relates to pressure vessels attached to spray gun nozzles, is primarily concerned with the use of flammable materials and also covers applications where a tank is used in an OSHA-regulated environment. To comply with OSHA regulations, and if you are using a flammable material at greater than 15 PSI and your local fire department has adopted NFPA 33, you must use an ASME code tank. Refer to NFPA 33, standard for spray application using flammable or combustible materials.

■ When to Use Pressure Tanks

Binks tanks provide an economical means of supplying paint and offer a uniform rate of flow at constant pressure. When combined with the use of disposable liners, tanks are the most economical method for most applications. When considering the alternative of using pumps, factor in maintenance and repair expenses because pumps, with their mechanical moving parts, are subject to wear.

As a general rule of thumb, if your paint operation uses less than 15 gallons of paint per shift, you probably should use tanks. For higher-volume operations, pumps may be more economical because the time spent re-filling tanks would exceed the savings you'd get with them. Binks manufactures and markets both tanks and pumps and your Binks Finishing Specialist can help you figure the best alternative for your operation.

■ Waterborne Coatings

The major reason for using waterborne coatings is their low Volatile Organic Compound (VOC) content. In many installations this results in compliance



with EPA emission limits. Additional advantages of waterborne coatings include reduced fire hazards and lower toxicity.

Spray equipment and spray techniques are similar to those for solvent-borne applications. When spraying waterborne coatings, corrosion resistant materials are recommended for application equipment, and surfaces to be coated must be meticulously clean.

■ Corrosion Proof Components

To avoid corrosion-contamination of waterborne coatings, use application equipment and components composed of 300 grade stainless steel or non-corroding plastics. Spray guns should have stainless steel fluid passages, fluid nozzles and needles. Positive displacement pumps should have stainless steel cylinders, ball checks and seats. Diaphragm pumps should be non-rusting acetal. Pressure tanks should be all stainless or stainless steel fitted and should be used with a disposable liner. Material handling components, such as fluid regulators, filters and agitators should be stainless steel. Hose and tubing connections and fittings should be stainless steel or nylon.

■ Uniform Fluid Flow

Compared to pumps, tanks generally provide a more uniform rate of fluid flow at constant pressure. Although the difference may be unnoticeable with most materials, highly viscous products such as glues may be more uniformly applied when the material is supplied from a pressure tank.

■ Other System Considerations

Waterborne coatings are shear sensitive to being stirred or pumped. This can have a degradation effect on some waterborne coatings. Accordingly, Binks tanks exhibit low shear characteristics. A reciprocating agitator is recommended to keep pigments in suspension without degrading the material. Fluid regulators and filters should also be low shear.

Waterborne coatings also evaporate very slowly. Heated flash zones may be required to remove enough of the water prior to the product entering the oven to avoid popping and boiling of the water. Spray booths and oven surfaces should be galvanized or protected against corrosion. Ovens work more efficiently when ventilated to remove excess humidity.

With the typical rotary agitation, the whirlpool motion creates a cavitation and shear with some materials around the center of the shaft. This cavitation leads to trapped air with waterborne materials.

The entrapped air bubbles in the fluid can be avoided by using a reciprocating agitator motor. Its back-and-forth (rather than circular) motion is significantly less likely to create bubbles in the mix, and entrapment is virtually eliminated.

A Binks Finishing Specialist will help you to select the right components or design a complete system for you. For local assistance call 1-888-992-4657.



PT ASME Code Tanks - Economical



Binks stainless and zinc ASME certified PT Series Tanks are economical and designed for use with waterborne and flammable materials that can be applied at less than 80 PSI.

All PT Series tanks feature a 2.8 gallon capacity and low profile tank design which accepts U.S. and Canadian one-gallon pails.



ASME certification makes the Binks PT Series the only economical code tanks available in the marketplace that meet OSHA regulations for using flammable and combustible materials.

Zinc Plated for Solvent-Based Coatings

Ideal for solvent-based coatings. Zinc plated lid and all wetted parts in lid assembly including: fluid tube, lid bushing, outlet elbow and fitting, and agitator shaft. Zinc plated tank shell. One disposable tank liner included.

Zinc Plated Lid and Tank Shell

Zinc Plated Throughout, Including Lid, Wetted Parts, and Tank Shell

Air Regulation	Fluid Agitation	Actual Capacity Up to 2.8 Gal. 83C-2xx
Single Reg	No Agitation	83C-210
Double Reg	No Agitation	83C-220
Single Reg	Std. Agitation (D)	83C-211
Double Reg	Std. Agitation (D)	83C-221
Disposable Liner		PT-78-K10 or K60
Service Bulletin		SBBI-21-044

(D) = Direct Drive Agitator: Uses direct mount air motor and air adjusting valve.

NOTE: The air regulator(s) and gauge(s) are shipped inside the tank to prevent damage in shipping.

Specifications

Maximum Working Pressure	80 PSI
Fluid Outlet	3/8" NPS
Air Inlet	1/4" NPS

Stainless Steel and Zinc for Waterborne Coatings

Ideal for waterborne coatings when used with a disposable tank liner. 300 grade stainless steel lid and all wetted parts in lid assembly including: fluid tube, lid bushing, outlet elbow and fitting, and agitator shaft. Zinc plated tank shell. One disposable tank liner included.

Stainless Steel Lid & Zinc Plated Tank Shell

Stainless steel lid, including all wetted parts; tank shell is zinc plated

Air Regulation	Fluid Agitation	Actual Capacity Up to 2.8 Gal. 83Z-2xx
Single Reg	No Agitation	83Z-210
Double Reg	No Agitation	83Z-220
Single Reg	Std. Agitation (D)	83Z-211
Double Reg	Std. Agitation (D)	83Z-221
Disposable Liner		PT-78-K10 or K60
Service Bulletin		SBBI-21-043

(D) = Direct Drive Agitator: Uses direct mount air motor and air adjusting valve.

NOTE: The air regulator(s) and gauge(s) are shipped inside the tank to prevent damage in shipping.

Binks Disposable Tank Liners



For 83C and 83Z Binks tanks use either the 2.8 gallon tank liner PT-78-K10, (1 box of 10 liners) or PT-78-K60, (1 box of 60 liners).

PT ASME Code Tanks - Economical

2-Gallon PT ASME Code Tanks Zinc Plated Lid and Tank Shell

Zinc Plated Throughout, Including Lid, Wetted Parts, and Tank Shell

2-Gal Tank Actual Capacity 2.8 gallons Part Number	Inside Dia	Inside Hght. At Ctr.	Overall Height ■	Overall Width	Shipping Weight for Tank Assmby*	Head Gasket	Disposable Liner ● (PT-78)	Bottom Outlet Kit	Service Bulletin Reference
83C-210	9 1/2"	9 9/16"	10 1/2"	13 3/8"	29	PT-33-1	K10 or K60	None	SBBI-21-044
83C-220	9 1/2"	9 9/16"	10 1/2"	13 3/8"	31	PT-33-1	K10 or K60	None	SBBI-21-044
83C-211	9 1/2"	9 9/16"	10 1/2"	13 3/8"	36	PT-33-1	K10 or K60	None	SBBI-21-044
83C-221	9 1/2"	9 9/16"	10 1/2"	13 3/8"	38	PT-33-1	K10 or K60	None	SBBI-21-044

■ Basic tank, not including regulators or agitators * estimated shipping weight ● PT-78-K10, (1 box of 10 liners) or PT-78-K60, (1 box of 60 liners).

2-Gallon PT ASME Code Tanks Stainless Steel Lid & Zinc Plated Tank Shell

Stainless steel lid, including all wetted parts; tank shell is zinc plated

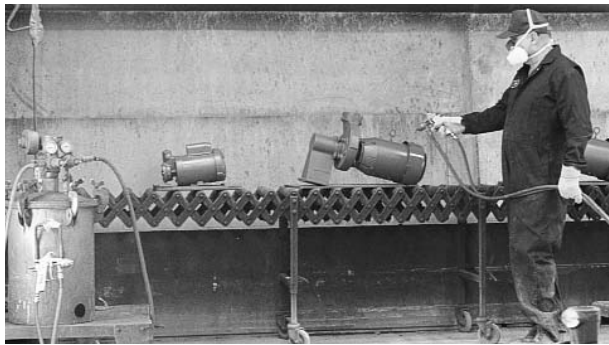
2-Gal Tank Actual Capacity 2.8 gallons Part Number	Inside Dia	Inside Hght. At Ctr.	Overall Height ■	Overall Width	Shipping Weight for Tank Assmby*	Head Gasket	Disposable Liner ● (PT-78)	Bottom Outlet Kit	Service Bulletin Reference
83Z-210	9 1/2"	9 9/16"	10 1/2"	13 3/8"	29	PT-33-1	K10 or K60	None	SBBI-21-043
83Z-220	9 1/2"	9 9/16"	10 1/2"	13 3/8"	31	PT-33-1	K10 or K60	None	SBBI-21-043
83Z-211	9 1/2"	9 9/16"	10 1/2"	13 3/8"	36	PT-33-1	K10 or K60	None	SBBI-21-043
83Z-221	9 1/2"	9 9/16"	10 1/2"	13 3/8"	38	PT-33-1	K10 or K60	None	SBBI-21-043

■ Basic tank, not including regulators or agitators * estimated shipping weight ● PT-78-K10, (1 box of 10 liners) or PT-78-K60, (1 box of 60 liners).

Head Gaskets

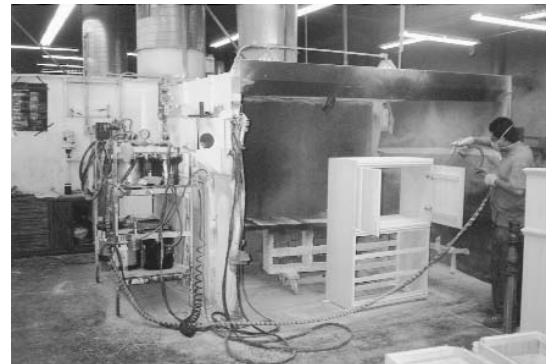
Gasket Material	2 Gal. P T Tank Part No.
Santoprene®	PT-33-1

Binks offers Santoprene® lid gaskets in place of the standard Thiokol® gasket. Injection molded of new hi-tech materials, Santoprene is highly chemical resistant.



Maximizing finishing productivity in spray booths that use a variety of finishes is easy when multiple Binks tanks are used.

- Economical
- ASME Approved
- Complies with OSHA Regulations
- Meets NFPA 33 Standards



Stainless Steel Tanks- The Best Long-Term Value



All stainless steel tanks and lids are precision crafted of heavy gauge 304 stainless and are electropolished. All models are equipped with a bottom outlet plug. Additionally, these tanks are fitted with 100% stainless steel non-corrosive and non-corroding wetted parts.



Binks stainless steel pressure tanks are designed and built to prevent corrosion-contamination, an inherent problem with waterborne coatings. For maximum cleanliness, use with Binks disposable tank liners.



Binks 5 gallon tanks (above) accept standard and imperial 5-gallon shipping pails. 2 gallon tanks accept U.S. and Canadian 1-gallon pails only.

Binks Stainless Steel Pressure Tanks are suitable for virtually all fluids and solvents. They are ASME certified and permanently labeled for 110 PSIG maximum working pressure.

Tanks and lids are constructed of heavy gauge 304 stainless steel and are also electropolished. All models are equipped with top outlet and bottom outlet plug, which can be adapted for bottom outlet.

Additionally, these tanks are fitted with 100% stainless steel non-corrosive and non-corroding wetted parts.

Specifications

Maximum Working Pressure	110 PSI
Fluid Outlet, Top	3/8" NPS
Fluid Outlet Plug, Bottom	1" NPT
Air Inlet	1/4" NPS

Ideal for Waterborne Coatings

Binks Stainless Steel pressure tanks are designed to prevent corrosion-contamination, an inherent problem with waterborne coatings. These tanks are all stainless steel, including fittings, and can be used with a Binks disposable liner for maximum cleanliness. Material handling components, such as fluid regulators, filters and agitators should also be of stainless steel.

We also recommend you use hose and tubing connections/ fittings made of stainless steel or plastic.

Other Considerations

Waterborne coatings are shear sensitive to being stirred or pumped. Stirring and pumping can degrade some waterborne coatings. Binks tanks, however, are designed for extremely low shear characteristics. A Binks oscillating agitator is recommended for keeping pigments in suspension without degrading the material. Binks fluid regulators and filters are also recommended for their minimal low shear characteristics.

Bottom Outlet Conversion Kits

These fittings allow a standard top outlet tank to feed from the bottom by removing the plug in the bottom port. Available in stainless steel only.

Tank Size	Actual Capacity	Stainless Steel Part No.	Ship Wt..
2 Gal.	2.8 Gal.	QMS-435	3 lbs.
5 Gal.	9.8 Gal.	QMS-443	4 lbs.
10 Gal.	11.8 Gal.	QMS-443	4 lbs.
15 Gal.	19.8 Gal.	QMS-443	4 lbs.

Stainless Steel

Bottom outlet plug and openings in skirt standard

Air Regulators	Fluid Agitation	Small Tank (2 Gal.)	Medium Tank (5 Gal.)	Large Tank (10 Gal.)	Extra Lg. Tank (15 Gal.)
		Actual Capacity 2.8 Gallons 83S-2xx	Actual Capacity 9.8 Gallons* 83S-5xx	Actual Capacity 11.8 Gallons 83S-10xx	Actual Capacity 19.8 Gallons 83S-15xx
No Reg	No Agitation	83S-200	83S-500	--	--
Single Reg	No Agitation	83S-210	83S-510	83S-1010	83S-1510
Double Reg	No Agitation	83S-220	83S-520	83S-1020	83S-1520
Double Reg	Opt. Agitation	83S-223 (I)	--	--	--
Double Reg	Recip. Agitation	83S-226 (R)	--	--	--
Single Reg	Std. Agitation	83S-211 (D)	83S-513 (I)	83S-1013 (I)	83S-1513
Double Reg	Std. Agitation	83S-221 (D)	83S-523 (I)	83S-1023 (I)	83S-1523
Double Reg	Recip. Agitation	--	83S-526 (R)	83S-1026 (R)	--
Xtra Sen Reg	Opt. Agitation	--	83S-533 (I)	--	--
Single Reg	Opt. Agitation	83S-213 (I)	83S-516 (R)	83S-1016 (R)	83S-1516
Disposable Liner		PT-78K10 or K60	PTL-408-K20	PTL-412-K8	PTL-415-K10
Service Bulletin		SBBI-21-068	SBBI-21-070	SBBI-21-064	SBBI-21-064

* Binks 5 gallon tanks accept standard and imperial 5-gallon shipping pails.
 (D) = Direct Drive Agitator: Uses direct mount air motor and air adjusting valve.
 (I) = Indirect Drive Agitator: Uses motor coupled to gearbox for higher torque at lower speeds.
 (R) = Reciprocating Agitator: self-reversing air motor for efficient mixing and reduced cavitation.
 NOTE: The air regulator(s) and gauge(s) are shipped inside the tank to prevent damage in shipping.



When combined with the use of disposable liners, there is no more economical way to run a paint operation for most applications.

For 83S-2xx Binks tanks use either the 2.8 gallon tank liner PT-78-K10, (1 box of 10 liners) or PT-78-K60, (1 box of 60 liners).
 For 83S-5xx Binks tanks use the 9.8 gallon tank liner PTL-408-K20, (1 box of 20 liners).
 For 83S-10xx Binks tanks use the 11.8 gallon tank liner PTL-412-K8, (1 box of 8 liners).
 For 83S-15xx Binks tanks use the 19.8 gallon tank liner PTL-415-K10, (1 box of 10 liners).



Stainless Steel Tanks-The Best Long-Term Value

2-Gallon Stainless Steel Tanks Bottom outlet plug and openings in skirt standard

2-Gal Tank Actual Capacity 2.8 gallons Part Number	Inside Dia	Inside Hght. At Ctr.	Overall Height ■	Overall Width	Shipping Weight for Tank Assmby*	Head Gasket	Disposable Liner ● (PT-78)	Bottom Outlet Kit	Service Bulletin Reference
83S-200	9 1/2"	9 1/2"	13 13/16"	13 3/8"	35	QMS-80-1	K10 OR K60	QMS-435	SBBI-21-068
83S-210	9 1/2"	9 1/2"	13 13/16"	13 3/8"	39	QMS-80-1	K10 OR K60	QMS-435	SBBI-21-068
83S-220	9 1/2"	9 1/2"	13 13/16"	13 3/8"	42	QMS-80-1	K10 OR K60	QMS-435	SBBI-21-068
83S-223	9 1/2"	9 1/2"	13 13/16"	13 3/8"	48	QMS-80-1	K10 OR K60	QMS-435	SBBI-21-068
83S-226	9 1/2"	9 1/2"	13 13/16"	13 3/8"	52	QMS-80-1	K10 OR K60	QMS-435	SBBI-21-068
83S-211	9 1/2"	9 1/2"	13 13/16"	13 3/8"	46	QMS-80-1	K10 OR K60	QMS-435	SBBI-21-068
83S-221	9 1/2"	9 1/2"	13 13/16"	13 3/8"	49	QMS-80-1	K10 OR K60	QMS-435	SBBI-21-068
83S-213	9 1/2"	9 1/2"	13 13/16"	13 3/8"	56	QMS-80-1	K10 OR K60	QMS-435	SBBI-21-068

■ Basic tank, not including regulators or agitators * estimated shipping weight ● PT-78-K10, (1 box of 10 liners) or PT-78-K60, (1 box of 60 liners).

5 Gallon Stainless Steel Tanks Bottom outlet plug and openings in skirt standard

5-Gal Tank Actual Capacity 9.8 gallons Part Number	Inside Dia	Inside Hght. At Ctr.	Overall Height ■	Overall Width	Shipping Weight for Tank Assmby*	Head Gasket	Disposable Liner ●	Bottom Outlet Kit	Service Bulletin Reference
83S-500	14"	16"	20 5/16"	18 1/2"	67	QM-1458-1	PTL-408-K20	QMS-443	SBBI-21-070
83S-510	14"	16"	20 5/16"	18 1/2"	71	QM-1458-1	PTL-408-K20	QMS-443	SBBI-21-070
83S-520	14"	16"	20 5/16"	18 1/2"	74	QM-1458-1	PTL-408-K20	QMS-443	SBBI-21-070
83S-513	14"	16"	20 5/16"	18 1/2"	89	QM-1458-1	PTL-408-K20	QMS-443	SBBI-21-070
83S-523	14"	16"	20 5/16"	18 1/2"	92	QM-1458-1	PTL-408-K20	QMS-443	SBBI-21-070
83S-526	14"	16"	20 5/16"	18 1/2"	95	QM-1458-1	PTL-408-K20	QMS-443	SBBI-21-070
83S-533	14"	16"	20 5/16"	18 1/2"	98	QM-1458-1	PTL-408-K20	QMS-443	SBBI-21-070
83S-516	14"	16"	20 5/16"	18 1/2"	95	QM-1458-1	PTL-408-K20	QMS-443	SBBI-21-070

■ Basic tank, not including regulators or agitators * estimated shipping weight ● PTL-408-K20, (1 box of 20 liners)

10 Gallon Stainless Steel Tanks Bottom outlet plug and openings in skirt standard

10-Gal Tank Actual Capacity 11.8 gallons Part Number	Inside Dia	Inside Hght. At Ctr.	Overall Height ■	Overall Width	Shipping Weight for Tank Assmby*	Head Gasket	Disposable Liner ●	Bottom Outlet Kit	Service Bulletin Reference
83S-1010	14"	19 1/16"	23 3/8"	18 1/2"	75	QM-1458-1	PTL-412-K8	QMS-443	SBBI-21-064
83S-1020	14"	19 1/16"	23 3/8"	18 1/2"	78	QM-1458-1	PTL-412-K8	QMS-443	SBBI-21-064
83S-1013	14"	19 1/16"	23 3/8"	18 1/2"	93	QM-1458-1	PTL-412-K8	QMS-443	SBBI-21-064
83S-1023	14"	19 1/16"	23 3/8"	18 1/2"	96	QM-1458-1	PTL-412-K8	QMS-443	SBBI-21-064
83S-1026	14"	19 1/16"	23 3/8"	18 1/2"	97	QM-1458-1	PTL-412-K8	QMS-443	SBBI-21-064
83S-1016	14"	19 1/16"	23 3/8"	18 1/2"	97	QM-1458-1	PTL-412-K8	QMS-443	SBBI-21-064

■ Basic tank, not including regulators or agitators * estimated shipping weight ● PTL-412-K8 (1 box of 8 liners)

15 Gallon Stainless Steel Tanks Bottom outlet plug and openings in skirt standard

15-Gal Tank Actual Capacity 19.8 gallons Part Number	Inside Dia	Inside Hght. At Ctr.	Overall Height ■	Overall Width	Shipping Weight for Tank Assmby*	Head Gasket	Disposable Liner ●	Bottom Outlet Kit	Service Bulletin Reference
83S-1510	14"	29 1/16"	33 13/16"	18 1/2"	98	QM-1458-1	PTL-415-K10	QMS-443	SBBI-21-064
83S-1520	14"	29 1/16"	33 13/16"	18 1/2"	101	QM-1458-1	PTL-415-K10	QMS-443	SBBI-21-064
83S-1513	14"	29 1/16"	33 13/16"	18 1/2"	116	QM-1458-1	PTL-415-K10	QMS-443	SBBI-21-064
83S-1523	14"	29 1/16"	33 13/16"	18 1/2"	118	QM-1458-1	PTL-415-K10	QMS-443	SBBI-21-064
83S-1516	14"	29 1/16"	33 13/16"	18 1/2"	120	QM-1458-1	PTL-415-K10	QMS-443	SBBI-21-064

■ Basic tank, not including regulators or agitators * estimated shipping weight ● PTL-415-K10, (1 box of 10 liners)

Head Gaskets

Gasket Material	2 Gal. Galv. or S.S. Part No..	5 Gal. Galv. or S.S. Part No..	10 Gal. Galv. or S.S. Part No.	15 Gal. Galv. Or S.S. Part No.
Santoprene®	QMS-80-1	QM-1458-1	QM-1458-1	QM-1458-1

Binks offers Santoprene® lid gaskets in place of the standard Thiokol® gasket. Injection molded of new hi-tech materials, Santoprene is highly chemical resistant.



Galvanized Tanks - Ideal For Most Applications



Binks galvanized tanks are built to the highest quality standards. Our team of experts - engineers, designers, technicians and customer service professionals - is constantly working to bring you the quality, efficiency, performance and value you expect from one of the world's most recognized spray finishing brands.

Binks galvanized tanks are primarily used with non-corrosive materials.

Constructed with a heavy pressed steel lid and forged steel clamps, galvanized



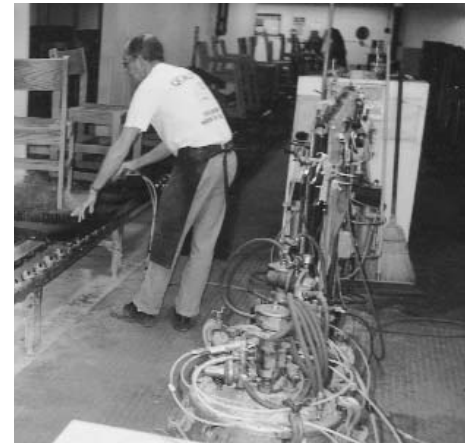
tanks have ports for both bottom and top fluid outlets.

All galvanized tank models are ASME certified for 110 PSI working pressure and are easy to service and clean.

Galvanized steel tanks are primarily used with non-corrosive materials. Constructed with a heavy pressed steel lid and forged steel clamps, galvanized tanks are equipped with top outlet and bottom outlet plug, which can be adapted for bottom outlet. The bottom outlet is recommended for heavy, viscous materials such as emulsified asphalts, cut-back asphalts, rubber compounds, etc.

Specifications

Maximum Working Pressure 110 PSI
 Fluid Outlet, Top 3/8" NPS
 Fluid Outlet Plug, Bottom 1" NPT
 Air Inlet 1/4" NPS



Binks 5 gallon tanks (above) accept standard and imperial 5-gallon shipping pails. 2 gallon tanks accept U.S and Canadian 1-gallon pails only.

Bottom Outlet Conversion Kits

These fittings allow a standard top outlet tank to feed from the bottom by removing the plug in the bottom port. Available in stainless steel only.

Tank Size	Actual Capacity	Stainless Steel Part No.	Ship Wt..
2 Gal	2.8 Gal.	QMS-435	3 lbs.
5 Gal	9.8 Gal.	QMS-443	4 lbs.
10 Gal	11.8 Gal.	QMS-443	4 lbs.
15 Gal	19.8 Gal.	QMS-443	4 lbs.

Galvanized Steel

Bottom outlet plug and openings in skirt standard

Air Regulators	Fluid Agitation	Small Tank (2 Gal.)	Medium Tank (5 Gal.)	Large Tank (10 Gal.)	Extra Lg. Tank (15 Gal.)
		Actual Capacity 2.8 Gallons 83G-2xx	Actual Capacity 9.8 Gallons* 83G-5xx	Actual Capacity 11.8 Gallons* 83G-10xx	Actual Capacity 19.8 Gallons 83G-15xx
No Reg	No Agitation	--	--	--	83G-1500
Single Reg	No Agitation	83G-210	83G-510	83G-1010	83G-1510
Double Reg	No Agitation	83G-220	83G-520	83G-1020	83G-1520
Single Reg	Std. Agitation	83G-211 (D)	83G-513 (I)	83G-1013 (I)	83G-1513 (I)
Double Reg	Std. Agitation	83G-221 (D)	83G-523 (I)	83G-1023 (I)	83G-1523(I)
Single Reg	Opt. Agitation	83G-213 (I)	83G-516 (R)	83G-1016 (R)	83G-1516 (R)
Disposable Liner		PT-78-K10 or-K60	PTL-408-K20	PTL-412-K8	PTL-415-K10
Service Bulletin		SBBI-21-068	SBBI-21-070	SBBI-21-062	SBBI-21-062

** Binks 5 gallon tanks accept standard and imperial 5-gallon shipping pails.
 (D) = Direct Drive Agitator: Uses direct mount air motor and air adjusting valve.
 (I) = Indirect Drive Agitator: Uses motor coupled to gearbox for higher torque at lower speeds.
 (R) = Reciprocating Agitator: self-reversing air motor for efficient mixing and reduced cavitation.
 NOTE: The air regulator(s) and gauge(s) are shipped inside the tank to prevent damage in shipping.*



When combined with the use of disposable liners, there is no more economical way to run a paint operation for most applications.

For 83G-2xx Binks tanks use either the 2.8 gallon tank liner PT-78-K10, (1 box of 10 liners) or PT-78-K60, (1 box of 60 liners).

For 83G-5xx Binks tanks use the 9.8 gallon tank liner PTL-408-K20, (1 box of 20 liners).

For 83G-10xx Binks tanks use the 11.8 gallon tank liner PTL-412-K8, (1 box of 8 liners).

For 83G-15xx Binks tanks use the 19.8 gallon tank liner PTL-415-K10, (1 box of 10 liners).

Galvanized Tanks - Ideal For Most Applications

2-Gallon Galvanized Tanks Bottom outlet plug and openings in skirt standard

2-Gal Tank Actual Capacity 2.8 gallons Part Number	Inside Dia	Inside Hght. At Ctr.	Overall Height ■	Overall Width	Shipping Weight for Tank Assmby*	Head Gasket	Disposable Liner ● (PT-78)	Bottom Outlet Kit	Service Bulletin Reference
83G-210	9 1/2"	9 1/2"	13 13/16"	13 3/8"	44	QMS-80-1	K10 OR K60	QMS-435	SBBI-21-068
83G-220	9 1/2"	9 1/2"	13 13/16"	13 3/8"	47	QMS-80-1	K10 OR K60	QMS-435	SBBI-21-068
83G-211	9 1/2"	9 1/2"	13 13/16"	13 3/8"	51	QMS-80-1	K10 OR K60	QMS-435	SBBI-21-068
83G-221	9 1/2"	9 1/2"	13 13/16"	13 3/8"	54	QMS-80-1	K10 OR K60	QMS-435	SBBI-21-068
83G-213	9 1/2"	9 1/2"	13 13/16"	13 3/8"	61	QMS-80-1	K10 OR K60	QMS-435	SBBI-21-068

■ Basic tank, not including regulators or agitators *estimated shipping weight ● PT-78-K10, (1 box of 10 liners) or PT-78-K60, (1 box of 60 liners).

5 Gallon Galvanized Tanks Bottom outlet plug and openings in skirt standard

5-Gal Tank Actual Capacity 9.8 gallons Part Number	Inside Dia	Inside Hght. At Ctr.	Overall Height ■	Overall Width	Shipping Weight for Tank Assmby*	Head Gasket	Disposable Liner ●	Bottom Outlet Kit	Service Bulletin Reference
83G-510	14"	16"	20 5/16"	18 1/2"	84	QM-1458-1	PTL-408-K20	QMS-443	SBBI-21-070
83G-520	14"	16"	20 5/16"	18 1/2"	87	QM-1458-1	PTL-408-K20	QMS-443	SBBI-21-070
83G-513	14"	16"	20 5/16"	18 1/2"	102	QM-1458-1	PTL-408-K20	QMS-443	SBBI-21-070
83G-523	14"	16"	20 5/16"	18 1/2"	105	QM-1458-1	PTL-408-K20	QMS-443	SBBI-21-070
83G-516	14"	16"	20 5/16"	18 1/2"	106	QM-1458-1	PTL-408-K20	QMS-443	SBBI-21-070

■ Basic tank, not including regulators or agitators *estimated shipping weight ● PTL-408-K20, (1 box of 20 liners)

10 Gallon Galvanized Tanks Bottom outlet plug and openings in skirt standard

10-Gal Tank Actual Capacity 11.8 gallons Part Number	Inside Dia	Inside Hght. At Ctr.	Overall Height ■	Overall Width	Shipping Weight for Tank Assmby*	Head Gasket	Disposable Liner ●	Bottom Outlet Kit	Service Bulletin Reference
83G-1010	14"	19 1/16"	23 3/8"	18 1/2"	90	QM-1458-1	PTL-412-K8	QMS-443	SBBI-21-062
83G-1020	14"	19 1/16"	23 3/8"	18 1/2"	93	QM-1458-1	PTL-412-K8	QMS-443	SBBI-21-062
83G-1013	14"	19 1/16"	23 3/8"	18 1/2"	108	QM-1458-1	PTL-412-K8	QMS-443	SBBI-21-062
83G-1023	14"	19 1/16"	23 3/8"	18 1/2"	111	QM-1458-1	PTL-412-K8	QMS-443	SBBI-21-062
83G-1016	14"	19 1/16"	23 3/8"	18 1/2"	112	QM-1458-1	PTL-412-K8	QMS-443	SBBI-21-062

■ Basic tank, not including regulators or agitators *estimated shipping weight ● PTL-412-K8 (1 box of 8 liners)

15 Gallon Galvanized Tanks Bottom outlet plug and openings in skirt standard

15-Gal Tank Actual Capacity 19.8 gallons Part Number	Inside Dia	Inside Hght. At Ctr.	Overall Height ■	Overall Width	Shipping Weight for Tank Assmby*	Head Gasket	Disposable Liner ●	Bottom Outlet Kit	Service Bulletin Reference
83G-1500	14"	29 1/16"	33 13/16"	18 1/2"	112	QM-1458-1	PTL-415-K10	QMS-443	SBBI-21-062
83G-1510	14"	29 1/16"	33 13/16"	18 1/2"	115	QM-1458-1	PTL-415-K10	QMS-443	SBBI-21-062
83G-1520	14"	29 1/16"	33 13/16"	18 1/2"	118	QM-1458-1	PTL-415-K10	QMS-443	SBBI-21-062
83G-1513	14"	29 1/16"	33 13/16"	18 1/2"	133	QM-1458-1	PTL-415-K10	QMS-443	SBBI-21-062
83G-1523	14"	29 1/16"	33 13/16"	18 1/2"	136	QM-1458-1	PTL-415-K10	QMS-443	SBBI-21-062
83G-1516	14"	29 1/16"	33 13/16"	18 1/2"	137	QM-1458-1	PTL-415-K10	QMS-443	SBBI-21-062

■ Basic tank, not including regulators or agitators *estimated shipping weight ● PTL-415-K10, (1 box of 10 liners)

Head Gaskets

Gasket Material	2 Gal. Galv. or S.S. Part No..	5 Gal. Galv. or S.S. Part No..	10 Gal. Galv. or S.S. Part No.	15 Gal. Galv. Or S.S. Part No.
Santoprene®	QMS-80-1	QM-1458-1	QM-1458-1	QM-1458-1

Binks now offers Santoprene® lid gaskets in place of the standard Thiokol® gasket. Injection molded of new hi-tech materials, Santoprene is highly chemical resistant.



Galvanized and Stainless Steel Fitted Tanks

Large Capacity – 30 and 60 Gallon

Standard Galvanized Units

Ideal for most applications

Binks large capacity Galvanized Tanks are ASME certified. They are the best choice when applying large quantities of coatings materials. These 30 and 60 gallon tanks can accommodate multiple spray guns. They are also well-suited to line-stripping operations. These tanks are made of galvanized steel and are primarily used with non-corrosive materials. Constructed with a heavy pressed steel lid and forged steel clamps, galvanized tanks have ports for both bottom and top fluid outlets. The bottom outlet is recommended for heavy, viscous materials such as emulsified asphalts, cut-back asphalts, rubber compounds, etc.

Standard Galvanized

Tank Model Number	Tank Capacity	Air Regulations	Fluid Agitation	Part Sheet	Shpg. Wt. *	Head Gasket	Dual Bottom Outlet Kit
83-5801	30 Gallon	Single Reg	No Agitation	1345	240	83-2120	83-4229
83-5807	30 Gallon	Single Reg	With Agitation	1347	250	83-2120	83-4229
83-5701	60 Gallon	Single Reg	No Agitation	1324	335	83-2122	83-4230
83-5707	60 Gallon	Single Reg	With Agitation	1322	370	83-2122	83-4230

● Santoprene *Estimated Shipping Weight.

NOTE: Agitated tanks indirect drive agitator uses air motor gearbox for higher torque at low speeds. All tanks have 2 top outlets. All tanks have a plug and opening in skirt for bottom outlet

Specifications

Maximum Working Pressure . . . 110 PSI
 Fluid Outlet, Top 3/8" NPS
 Fluid Outlet, Bottom 1" NPT
 Bottom Outlet Kit, Fluid Outlets . 3/8" NPS
 Air Inlet 1/4" NPS

Stainless Steel Fitted Galvanized Units

Ideal for waterborne and corrosive materials

For use with latex, ceramics, and other corrosive fluid materials. Tank heads are hot tin dipped; shells are galvanized. Inner containers (order separately) and all parts that come in contact with material are of stainless steel.

Galvanized (Order stainless steel inner container separately)

Tank Model Number	Tank Capacity	Air Regulations	Fluid Agitation	Part Sheet	Shpg. Wt. *	Head Gasket	Dual Bottom Outlet Kit
83-5873	30 Gallon	Single Reg	No Agitation	1346	251	83-2121	83-4229
83-5879	30 Gallon	Single Reg	With Agitation	1348	270	83-2121	83-4229
83-5773	60 Gallon	Single Reg	No Agitation	1323	335	83-2123	83-4230
83-5779	60 Gallon	Single Reg	With Agitation	1321	370	83-2123	83-4230

■ Rubber *Estimated Shipping Weight.

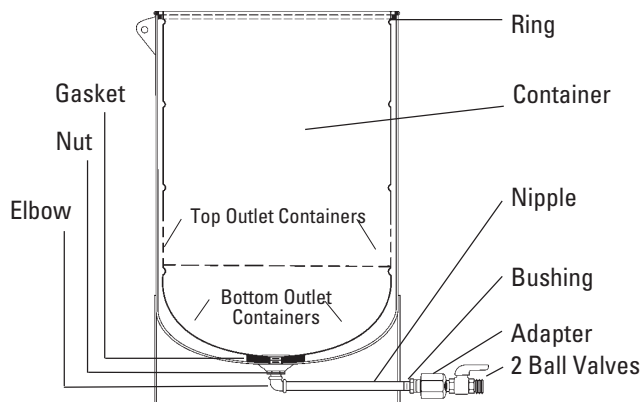
NOTE: Agitated tanks indirect drive agitator uses air motor gearbox for higher torque at low speeds. All tanks have 2 top outlets. All tanks have a plug and opening in skirt for bottom outlet

Installing Second Regulator

Large Capacity Tanks require two regulators for optimal performance. One regulator controls fluid pressure and the other regulator controls air to the spray gun only. For maximum value, purchase the following: **QMS-436**.

30 Gallon and 60 Gallon Top or Bottom Outlet SS Inner Containers

(Order in addition to pressure tank - see below right.)



Inner Containers

Stainless Steel (Order Separately)

PART NO.	DESCRIPTION
83-1569	30 Gallon - Top Outlet
83-2230*	30 Gallon - Bottom Outlet
83-1581	60 Gallon - Top Outlet
83-2229*	60 Gallon - Bottom Outlet

* Includes bottom outlet hardware



Tank Accessories

Indirect Air Motor Drive



Model QS-5012. Standard duty, smooth running with gear reducer, 1/2 hp, 15:1 ratio, 20 to 120 RPM. Includes throttling valve, fittings, and hose for connection to air supply on tank lid. Air consumption is approximately 6 CFM @ 50 RPM. For 2, 5, 10 & 15 gallon tanks only. Service Bulletin SBBI-19-087.

Reciprocating Air Motor Drive



Model 31-381. Slow 180-degree back-and-forth action ensures excellent agitation. Uses 50% less air than rotary type air motors. 22.25 Ft. Lbs. torque at 72.5 psi. Air consumption: Approximately 1 CFM @ 10 cycles per minute. The Binks Reciprocating Air Motor Drive features a wide adjustment range of 10-30 cycles per minute. It virtually eliminates trapped air, and shear-sensitive coatings are not affected by its gentle yet effective agitation. Part Sheet 77-2788.

Agitator Drives - (for 30 and 60 gallon tanks only)



Model 31-396 Standard Air Motor Drive Unit with gear reducer. 1/2 H.P., 15:1 Ratio, 40 RPM max. Shipping weight 20 lbs. For 30, & 60 gallon tanks and 55 gallon drums only. Part Sheet 2804.



Model 31-385 Oscillating Air Motor. 10 to 30 cycles per min. 22.25 ft. lbs. torque at 72.5 psi. Shipping weight 15 lbs. For 30 & 60 gallon tanks only. Part Sheet 2802.



Model 83-2476 Heavy duty Air Motor Drive Unit with gear reducer. 1 H.P., 30:1 Ratio, 15 to 50 RPM output. Shipping weight 20 lbs. For 30 & 60 gallon tanks only. Part Sheet 1622.

Direct Drive Agitator



Air-powered direct drive agitator assembly with 1/2 hp air motor and a three-bladed propeller to keep materials mixed in suspension, even high solids. Use on two gallon models. **Must order air motor and shaft separately.**

83Z SERIES STAINLESS STEEL

Model PT-427—air motor/adaptor
Model PT-419—shaft assembly

83C SERIES ZINC PLATED

Model PT-418—air motor/adaptor
Model PT-428—shaft assembly

83S AND 83G SERIES

Refer to part sheets on tank

Y-Strainer Inline Fluid Filter.



Nickel plated body with Stainless Steel element, good for solvent or water-borne materials. Low Pressure. 3/8" NPS (f) swivel inlet x 3/8" NPS (m) outlet.

Model No.	Mesh	Microns	SS Screen Element
	30	590	83-2705
83-2922	50	297	83-2089
83-2923	80	177	83-2596
83-2924	100	149	83-1256
83-2925	150	96	83-2405
83-2926	200	74	83-2706

Air Regulator/Gauge Assembly Kits - (for galvanized and stainless tanks only, not 83C or 83Z)



Model QMS-436: One gauge, one regulator. Converts single regulation to dual.

Model QMS-4006: One gauge, one regulator. Regulates and indicates tank pressure.

Model QMS-4007: Two gauges, two regulators. Controls tank pressure and atomization air pressure to gun.

Model 83-1290: Gauge only, range 0-150 psi (for fluid).

Model 83-1355: Gauge only, range 0-100 psi (for air).

Air Regulator/Gauge Assembly Kits - (for galvanized, stainless, 83C and 83Z tanks)

Model QMS-4010 One extra sensitive gauge and one extra sensitive regulator. For applications requiring extremely sensitive, non-fluctuating, low pressure control.

Model HAR-511: Regulator only (for fluid pressure).

Model HAR-507: Regulator only for atomizing air pressure.

Air Gauge - (for 83C and 83Z tanks only)

Model 83-2727 Gauge only, range 0-100psi (for air).

Refer to the pressure tank service bulletin for service instructions.

Premium Finishing Air Hose Assemblies & Connections

Sizes I.D.	Length of Hose	Hose Assembly Part No.	Bulk Hose Number	Connection Thread Size	Type of Connection	Connection Part Number
5/16"	25 ft.	71-1205	71-11000	1/4"NPS(F)	3 piece reusable	72-1317
5/16"	50 ft.	71-1206	71-11000	1/4"NPS(F)	3 piece reusable	72-1317
3/8"	25 ft.	71-1355	71-12000	1/4"NPS(F)	3 piece reusable	72-1325
3/8"	50 ft.	71-1356	71-12000	1/4"NPS(F)	3 piece reusable	72-1325

Fluid All™ Fluid Hose Assemblies & Connections

Sizes I.D.	Length of Hose	Hose Assembly Part No.	Bulk Hose Number	Connection Thread Size	Type of Connection	Connection Part Number
3/8"	25 ft.	71-3303	71-282	3/8"NPS(F)	3 piece reusable	72-1328
3/8"	50 ft.	71-3304	71-282	3/8"NPS(F)	3 piece reusable	72-1328

Sales and Service
Through a Nationwide Network of Industrial Distributors



North American Office

ITW Industrial Finishing
Binks
195 Internationale Blvd.
Glendale Heights, IL 60139
630-237-5000
Fax 630-237-5011
www.binks.com

Customer Service

1-800-992-4657

Technical Support

1-888-992-4657

