



BURN-OFF Ovens & Wash Booths

BURN-OFF OVENS

Heat cleaning is the proven solution for the painting industry. It limits labor costs, minimizes environmental impact and maximizes profit potential. GFS, a leader in heat transfer technology, manufactures a variety of Batch Burn-Off ovens to suit any manufacturers' needs.

Benefits:

- Eliminates hazardous chemicals in the workplace
- Very low labor cost
- Limited secondary clean-up
- Oven controls are fully automatic
- Compact design reduces exterior envelope and saves floor space
- Central heat distribution for optimum balance of heat



WASH BOOTHS

Engineered to address ash containment and secondary clean up associated with a burn-off process.

Standard Features:

- Constructed of 10 gauge steel and heavy structural steel support with two overhead roll-up doors
- Heavy-duty structural steel cart with track extension
- Header and spray nozzle system
- Manual rinse station with wand and hose for detailing of parts
- Polypropylene roof panels for greater visibility inside of booth
- Reservoir tank made of 10 gauge steel
- Media filter baskets with handles for easy removal of ash
- Low solution level switch to prevent pump cavitation

Applications

Batch Burn-Off Ovens can remove limited amounts of paint, powder coating, epoxies, lacquers, urethanes and other organic or inorganic compounds from a variety of parts, such as:

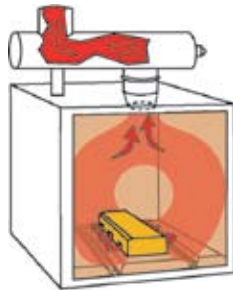
- Racks
- Hooks
- Fixtures
- Part reclamations

Other Applications

- Engine & Part rebuilders
- Electric motor rebuilders

Process

The process is simple: the operator loads a rack of parts to be cleaned into the oven, pushes the start button and closes the door. The average cycle time is 2 to 6 hours. The system is fully automatic, which allows the operator the option of handling other tasks or running the oven at night. The central heat distribution system ensures even temperatures throughout the oven chamber and eliminates cold spots. This precise control of temperature prevents distortion of the part during the process. The primary and secondary water suppression system along with the monitoring of both the oven and afterburner chamber temperatures ensures a safe controlled burn-off.



Safe and Clean

During the process, hazardous contaminants are eliminated by the oven's afterburner. The afterburner thermally destroys pollutants at temperatures ranging from 1400 °F to 1900 °F. What's left is a small amount of ash that can be easily shaken or brushed off. In most areas, this ash is not considered hazardous waste. GFS ovens are approved by Air Quality Authorities throughout the U.S, Canada and overseas.

Secondary Clean-Up

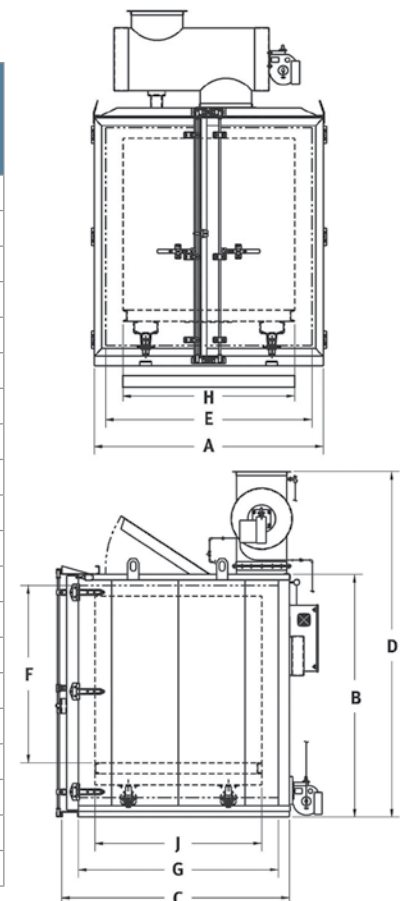
GFS has engineered and manufactured a Wash Booth to address ash containment and typical house cleaning normally associated with a burn-off process. GFS is the only burn-off oven manufacturer to address secondary cleanup and offer a solution. Please contact GFS for more information.

Optional

- Custom controls and sizes
- Stainless steel panelized oven interior
- Customized cart
- Temperature indicating package chart recorded (dual pen)
- FM or IRI controls

Model No.	External Dimensions			After-burner Outlet Ht. D	Max. Product Dim.			Cart Size		Total Internal Volume	Approx. Weight
	Width A	Height B	Depth C		Width E	Over Cart F	Depth G	Width	Depth		
3303	56"	66"	56"	100"	36"	36"	36"	36"	36"	68	2,800
4404	68"	78"	68"	112"	48"	48"	48"	48"	48"	132	3,500
4406	68"	78"	92"	112"	48"	48"	72"	48"	72"	184	3,800
5505	80"	90"	80"	124"	60"	60"	60"	60"	60"	226	4,000
6606	92"	102"	92"	136"	72"	72"	72"	72"	72"	356	6,000
6608	92"	102"	116"	144"	72"	72"	96"	72"	96"	458	6,600
6610	92"	102"	140"	144"	72"	72"	120"	72"	120"	560	7,300
6612	92"	102"	164"	144"	72"	72"	144"	72"	144"	662	8,000
6706	92"	114"	92"	120" +	72"	84"	72"	72"	72"	405	6,600
6708	92"	114"	116"	156"	72"	84"	96"	72"	96"	521	7,200
6710	92"	114"	140"	156"	72"	84"	120"	72"	120"	637	8,000
6808	92"	126"	116"	132" +	72"	96"	96"	72"	96"	584	7,400
6810	92"	126"	140"	132" +	72"	96"	120"	72"	120"	714	8,400
7606	104"	102"	92"	136"	84"	72"	72"	84"	72"	407	5,000
7608	104"	102"	116"	144"	84"	72"	96"	84"	96"	524	7,200
7610	104"	102"	140"	144"	84"	72"	120"	84"	120"	640	8,000
8808	116"	126"	116"	132" +	96"	96"	96"	96"	96"	751	9,000
8810	116"	126"	140"	168"	96"	96"	120"	96"	120"	918	9,000
8812	116"	126"	164"	168"	96"	96"	144"	96"	144"	1,085	12,000
8814	116"	126"	188"	168"	96"	96"	168"	96"	168"	1,249	15,000

+ Rear Mount Afterburner



Process

Designed for the secondary cleanup of burned-off racks, hooks, fixtures, and parts. After the burn-off process, the operator transfers the load to the wash booth cart. The cart is rolled into the wash booth and the overhead doors are closed. The operator then turns on a high-volume pump, drawing ambient water from the side reservoir tank. The water is sprayed through nozzles located overhead and in each corner.

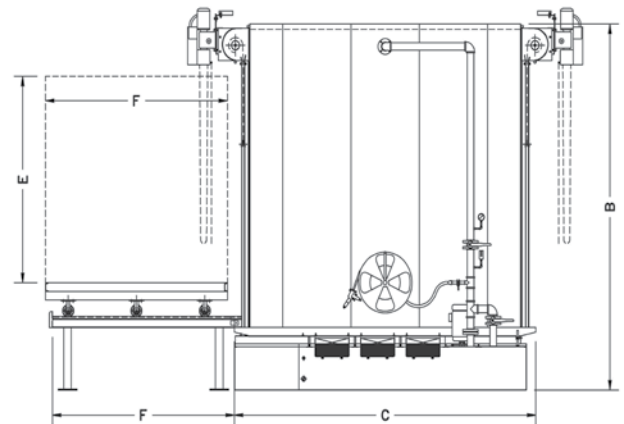
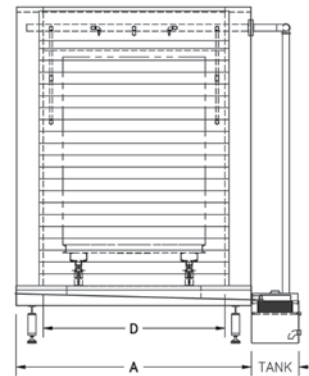
The loose ash is flushed from the surface and travels to the filtration area where it is collected for manual removal. A spray wand is included for manual detailing of the parts as needed and will require plant water tie-in for water supply. Overhead roll-up doors, located in front and rear of the booth, allow the operator to access the load for manual detailing and final removal as needed.

Options

- Auxiliary manual power washer (2 gpm @ 1000 psi)
- Overhead hoist (electric, 2000 lbs)
- Turntable
- Additional roll-up door
- Customized cart

Model No.	External Dimensions			Load Area*			Load Volume Ft ³
	Width A	Height B	Depth C	Width D	Height E	Depth F	
3303	84	109	60	36	36	36	27
3403	84	121	60	36	48	36	36
3505	84	133	84	36	60	60	75
4404	96	121	72	48	48	48	64
4504	96	133	72	48	60	48	80
4604	96	145	72	48	72	48	96
5505	108	133	84	60	60	60	125
5605	108	145	84	60	72	60	150
5705	108	157	84	60	84	60	175
6404	120	121	72	72	48	48	96
6505	120	133	84	72	60	60	150
6606	120	145	96	72	72	72	216
6706	120	157	96	72	84	72	252
6806	120	169	96	72	96	72	288
7606	132	145	96	84	72	72	252
7706	132	157	96	84	84	72	294
8505	144	133	84	96	60	60	200
8606	144	145	96	96	72	72	288
8706	144	157	96	96	84	72	336
8806	144	169	96	96	96	72	384

All dimensions are approximate, in inches.
 * Dimensions are wall to wall and height over cart.



All designs, specifications and components are subject to change at the manufacturer's sole discretion at any time without notice. Data published herein is informational in nature and shall not be construed to warrant suitability of the unit for any particular purpose as performance may vary with the conditions encountered.

Commitment

Global Finishing Solutions



Our customer-driven mission is to be the number one choice for large and small companies worldwide who demands the cleanest, most profitable finishing environment possible!

At Global Finishing Solutions, market leadership is built on the involvement of every individual employee. Corporate officers, engineers, distributors and installers—together we are a team of highly focused individuals striving for the same goal: to lead the industry with the quality and reputation that our customers deserve.



We have impeccable resources for research and development, successfully achieved access to the highest quality components from different world markets, and proven our ability to address a variety of finishing markets including industrial, heavy-duty and oversize OEM as well as the automotive refinish market.



Our future is guaranteed by our uncompromising respect for the quality of our product and service we deliver to our customers. The confidence of our distributors and the satisfaction of our customers must complete the picture – the future of GFS' leading strategy.



Our broad range of products, from small bench-type spray booths to complete industrial finishing systems to immense aviation spray booths, exists because GFS understands that each type of finishing operation has unique needs and requires a specified approach. This also allows GFS to use the best features of various finishing methods in innovative new ways to bring increased efficiency and productivity to the finishing industry.



- Automotive Finishing Booths
- Special Application Booths
- VOC Abatement Systems
- Open Face Booths
- Bench Booths
- Downdraft Booths
- Semi-Downdraft Booths
- Crossdraft Booths
- Paint Mix Rooms
- Finishing Systems
- Air Replacement Units
- Flash-Off Tunnels
- Industrial Ovens
- Clean Rooms
- Water-Wash Systems
- Powder Booths
- Parts & Filters
- Sales, Service & Installation



Global Finishing Solutions • 800-848-8738 • info@globalfinishing.com
Osseo, WI • Dallas, TX • Monterrey, MX • Barrie, ON
www.globalfinishing.com