

# Solenoid Valve

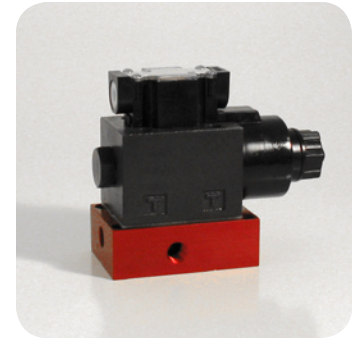
## Shut Off/ Zone Valve

### General

The Solenoid Valve is electrically-operated and is used to open or close lubrication lines for zone systems, alternating system pumps and other applications where a user needs automatic operation. A D05 subplate with mounting bolts is included. When mounted to a D05 subplate, standard configuration is normally closed.

### Features

- + High Tank Port Pressure (up to 3,000 psi).
- + Electrical box with indicator lights and terminal strip connection standard.
- + Indicator lamps to diagnose connection; plug-in coils provide easy changing without disturbing wiring.
- + Plug in coils are easily changed without disturbing the wiring.



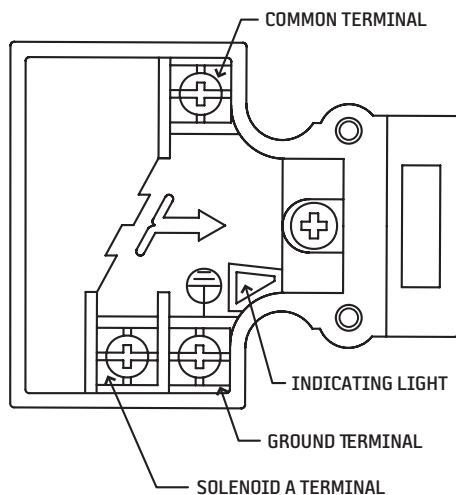
### Technical Data

	39909	37214	37196
Applied Voltage	115 VAC	230 VAC	24 VDC
Frequency	60 Hz	60 Hz	---
Starting Current	5 amp	2.5 amp	---
Holding Current	1 amp	0.48 amp	1.5 amp
Holding Power	42 W	32 W	36 W
Voltage Range	80-120 V	180-240 V	21.6-26.4 V
Max. Operating Pressure	5000 psi (345 bar)		
Operating Temperature	41°F to 140°F (5°C to 60°C)		
Maximum Flow	Up to 12 gpm		
Weight	7.9 lb (3.6 kg)		



- + AC coils are rated for both 50/60 Hz (Rewiring not required).
- + Do NOT supply electrical power to the AC coils unless the coil is mounted on valve.
- + Do NOT exceed voltage specifications listed here.
- + Electrical power should be maintained on detented valves. Detent only maintains start-up position of valve.
- + PLC or remote operation is required.

### Wiring



BIJUR DELIMON INTERNATIONAL

(919) 465 4448 LOCAL  
 (800) 631 0168 TOLL-FREE  
 (919) 465 0516 FAX

[WWW.BIJURDELIMON.COM](http://WWW.BIJURDELIMON.COM)

2100 Gateway Centre Blvd., Suite 109  
 Morrisville, NC 27560

## How To Order

Name	Description	Part #
Solenoid Valve	Complete assembly	115 VAC single coil, zoning valve and subplate
		230 VAC single coil, zoning valve and subplate
		24 VDC single coil, zoning valve and subplate
No subplate		115 VAC single coil and zoning valve
		230 VAC single coil and zoning valve
		24 VDC single coil and zoning valve

\* Subplate shipped mounted to valve

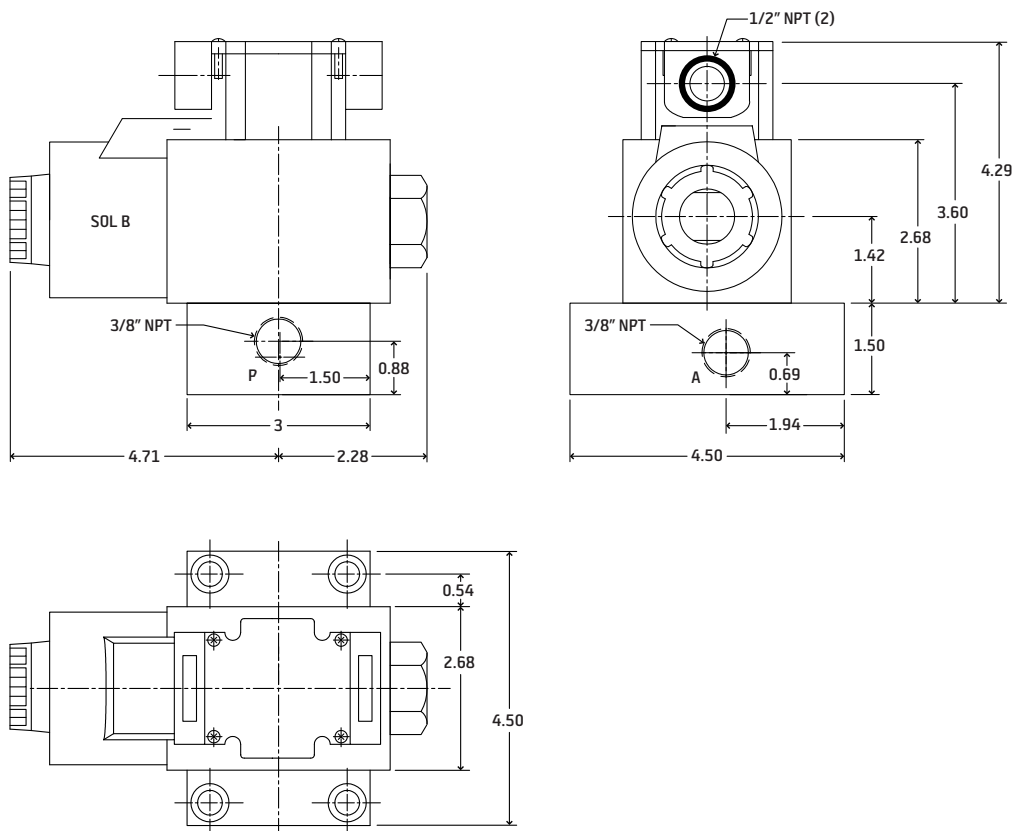
When ordering, specify by name, description and part number, e.g. Solenoid Valve, Complete Assembly, 115 VAC Single Coil, Part #39909.

## Accessories

Description	Part #
Subplate	39906
115 VAC single coil (replacement)	39911
230 VAC single coil (replacement)	39912
24 VDC single coil (replacement)	39913

## Dimensional Schematics

Measurements shown in inches.



BIJUR DELIMON INTERNATIONAL

(919) 465 4448 LOCAL  
 (800) 631 0168 TOLL-FREE  
 (919) 465 0516 FAX

[WWW.BIJURDELIMON.COM](http://WWW.BIJURDELIMON.COM)

2100 Gateway Centre Blvd., Suite 109  
 Morrisville, NC 27560